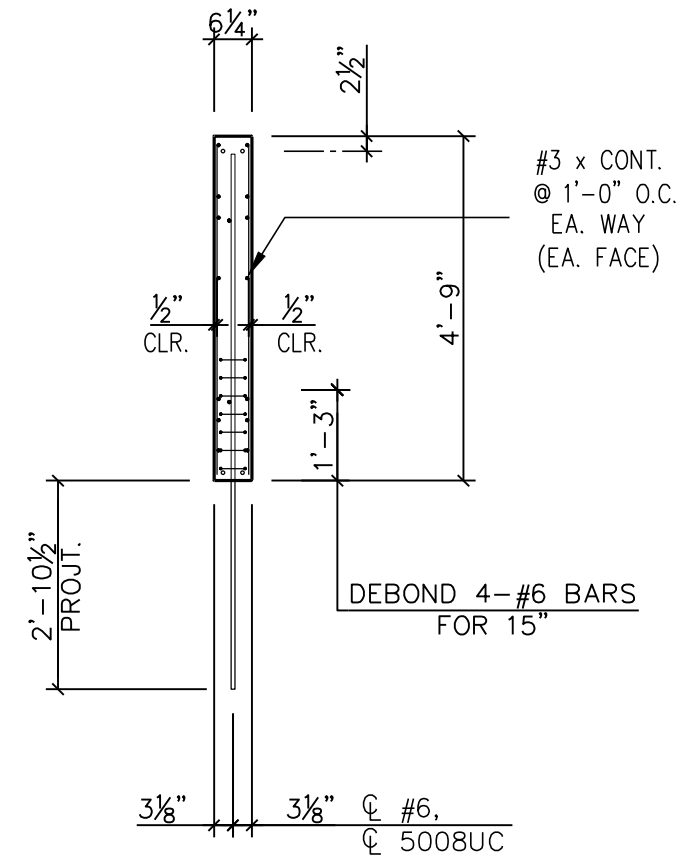
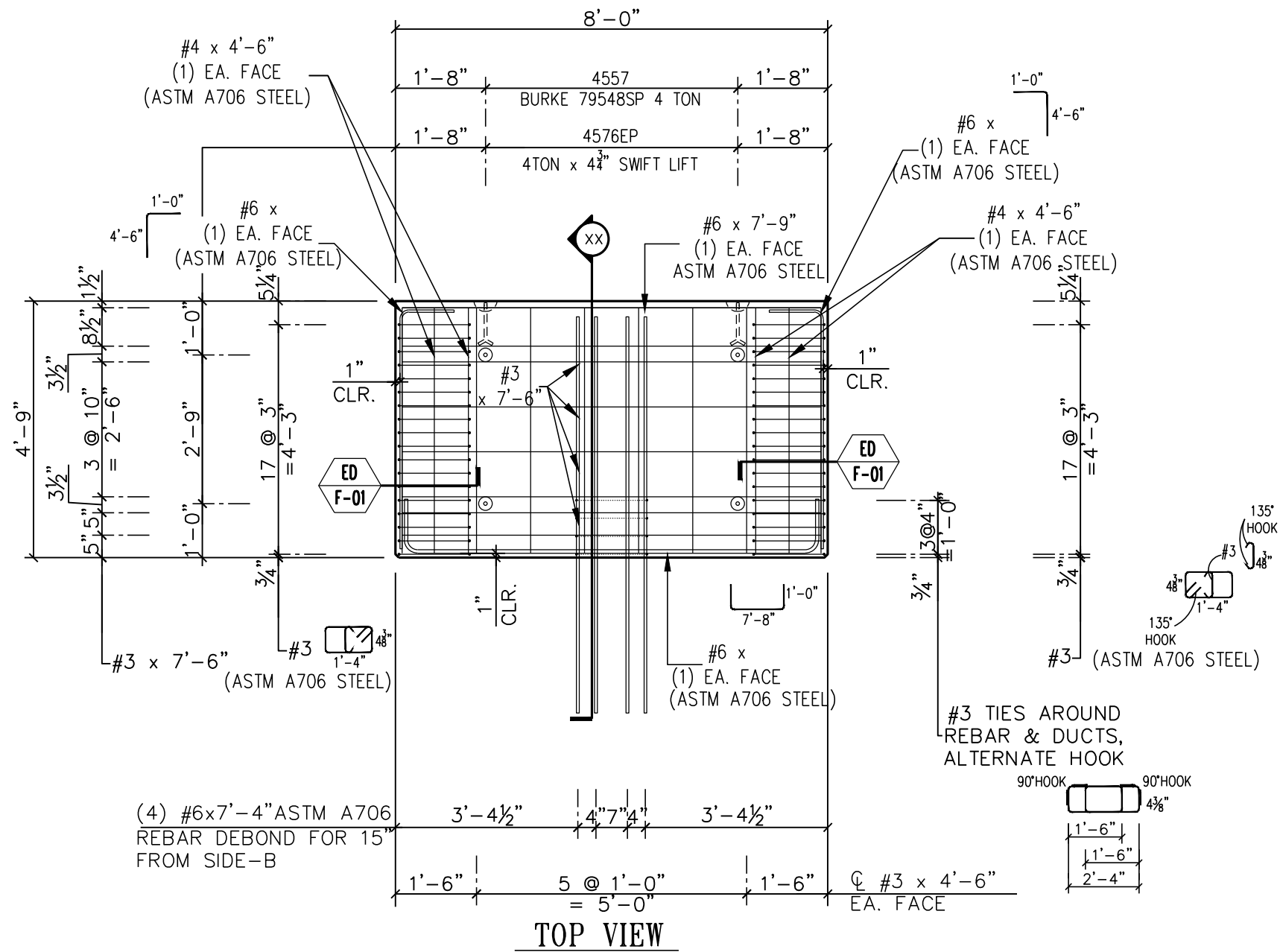



HARDWARE		QTY/UNIT	HARDWARE		QTY/UNIT	ERECTION DRAWING REFERENCE:		MK. NO.: 08-WP204		
5014UC	50mm ϕ DUCT X 3'-0"	2	4576EP	DAYTON P-52 SWIFT LIFT 4T x 4 3/4"	4	E1.01 SERIES		UNITS REQ'D.: ONE	WT.: 2,970 lbs.	
5008UC	50mm ϕ DUCT X 4'-9"	3	4557HG	BURKE 79548SP 4 TON	2	HANDLING/REINFORCING REFERENCE:		MIX NO.:	C/Y: 0.73	
4518EP	DAYTON SUPERIOR F-42 LOOP FERRULE INSERT 3/8"	10				WPR202		DRAWN	CHECKED	ENGINEER
4519EP	DAYTON SUPERIOR F-42 LOOP FERRULE INSERT 1/2"	4				HANDLING DIMENSIONS		BDL	WJK	BS
4520EP	DAYTON SUPERIOR F-42 LOOP FERRULE INSERT 3/4"	2				DIM. A = DIM. C =		PROJECT: NOTRE DAME SPECIMEN #4		
5009EP	DAYTON SUPERIOR F-43 FERRULE INSERT 3/8"	4				DIM. B = DIM. D =		DRAWING: WP204	JOB: 08-	





- NOTES:
- 1) STRIP W/ SWIFT LIFTS.
 - 2) BLOCK AT LIFT LOCATIONS.
 - 3) STORE AND SHIP FLAT.
 - 4) ERECT W/ BURKES.

 <small>125 DENVER RD. DENVER, PA 17517 PH. 717-336-8300 A Division of High Industries, Inc.</small>	NO.	REVISION	BY	DATE	CONCRETE STRENGTH $f'_c = 6000$ PSI (28 DAYS) $f'_{ci} = 3000$ PSI (RELEASE)
					DRAWN: BDL CHECKED: WJK ENGINEER: BS
					PROJECT: NOTRE DAME SPECIMEN #4 DRAWING: WPR204 JOB: 08-