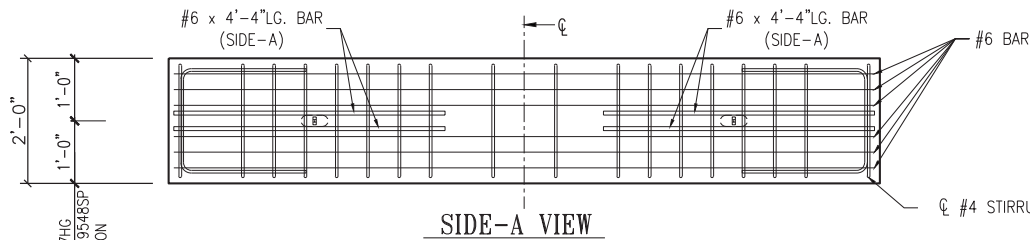


JOB USE
 DATE: 12/18/09
 CONSULTING ENGINEERS GROUP, INC.

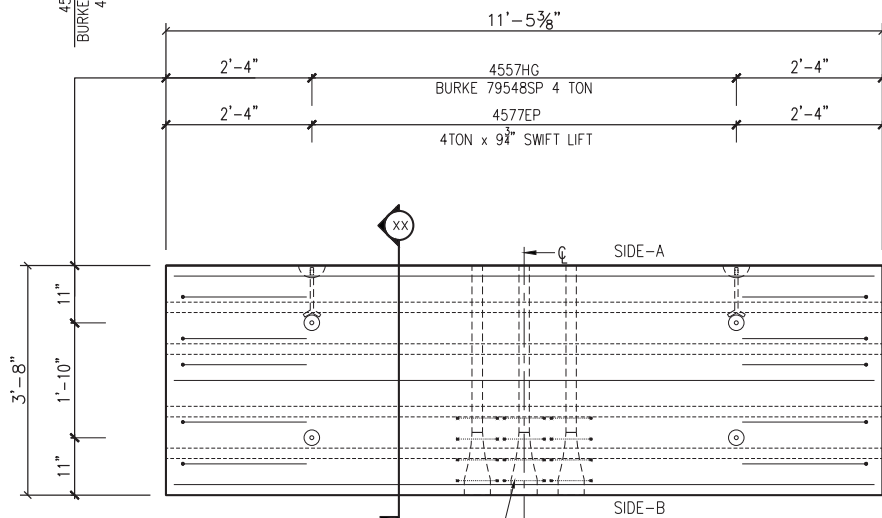
END-2 VIEW

TOP VIEW

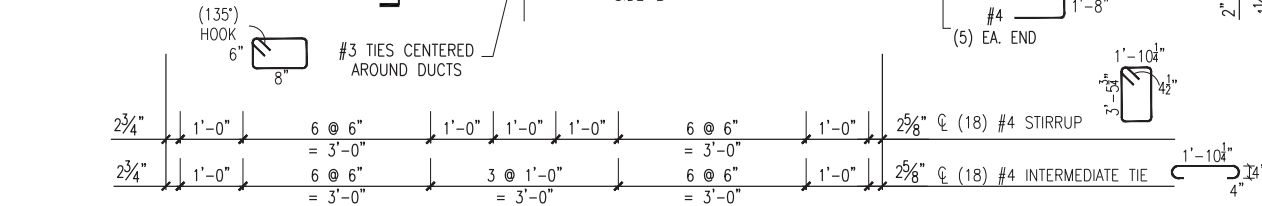
HARDWARE		QTY/UNIT	HARDWARE	QTY/UNIT	ERECTON DRAWING REFERENCE:		NO. REVISION		BY	DATE	
5002UC	50mmø x 11'-5 3/8" DUCT	18	4577EP DAYTON P-52 SWIFT LIFT 41' x 9' 3/4"	4	E1.01 SERIES		MK. NO.: 08-FB302 UNITS REQ'D: ONE WT.: 12,500 LB. MIX NO.: 3.09 CHECKED: ENGINEER W.K. BS PROJECT: NOIRE DAME SPECIMEN #2 & #3 DRAWING: FB302				
5003UC	50mmø x 2'-8" DUCT W/TRANSITION	3	4557HG BURKE 79548SP 4 TON	2	HANDLING/REINFORCING REFERENCE:						
5004UC	#6 LENTON INTERLOK	4			FBR-302						
5015UC	#7 LENTON INTERLOK	6			HANDLING DIMENSIONS						
4518EP	DAYTON SUPERIOR F-42 LOOP FERROULE MESH 3/8"	3			DIM. A = DIM. C = DIM. B = DIM. D =						



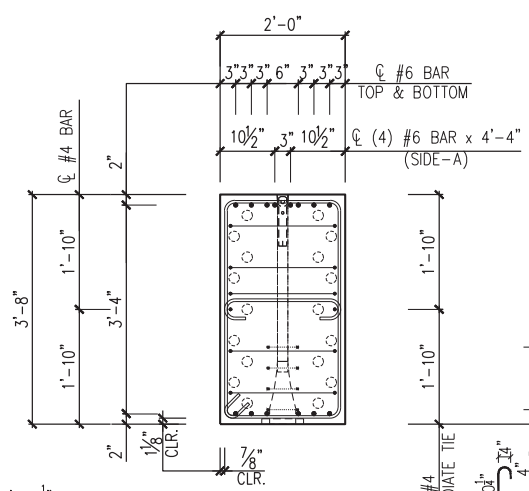
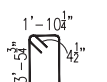
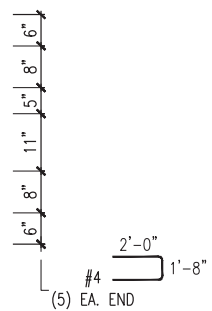
SIDE-A VIEW



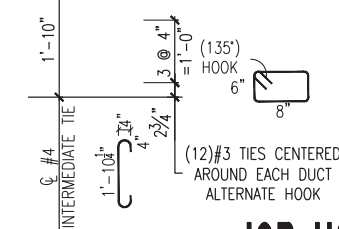
TOP VIEW



- NOTE:
- 1) ALL INSERTS SHOULD BE PLACES ON ONE ELEVATION ONLY EXCEPT WHERE NOTED.
 - 2) INSERTS SHOULD BE PLACED ON "FREE" SURFACE OF FORM.



SECTION X-X

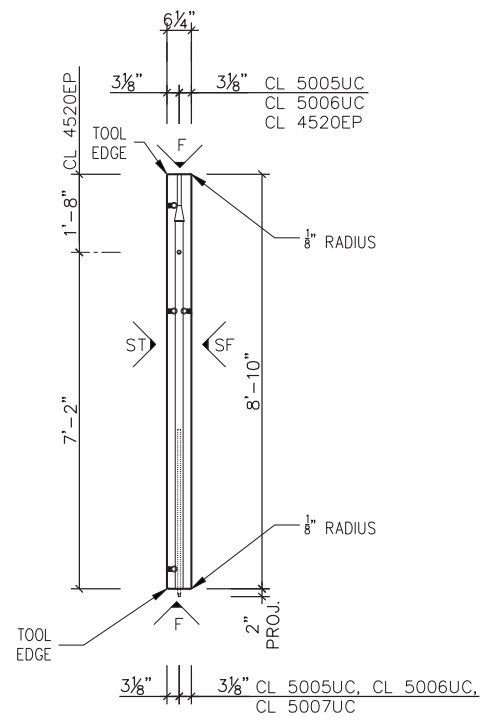
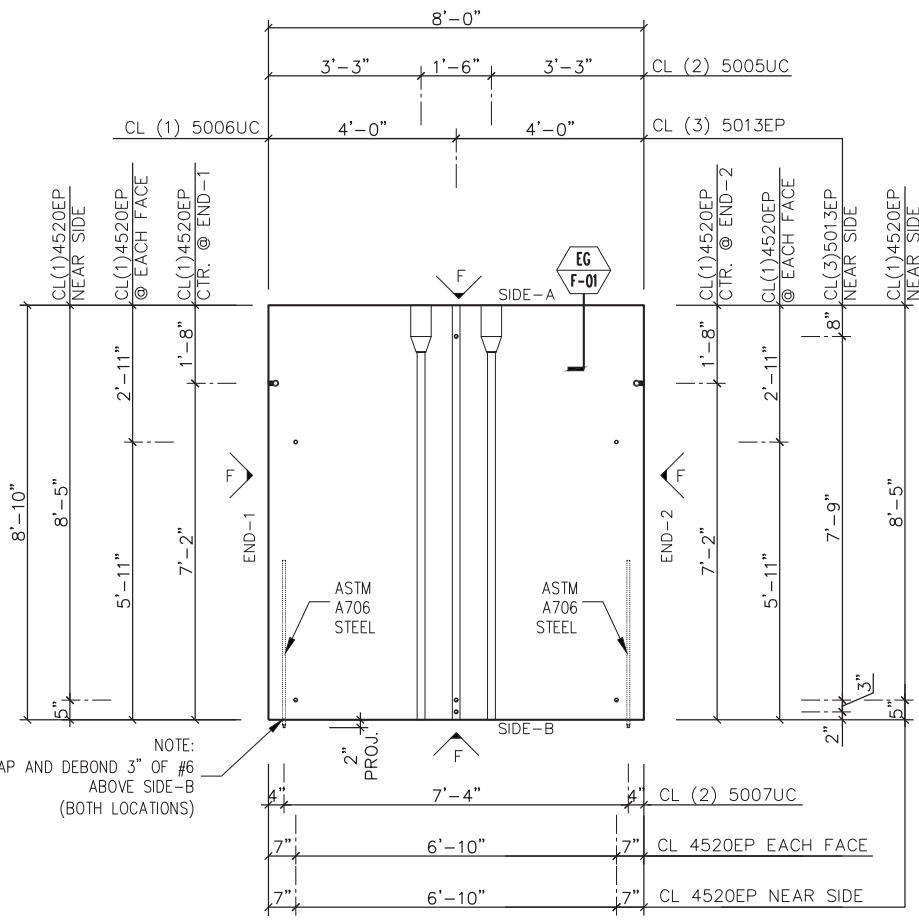
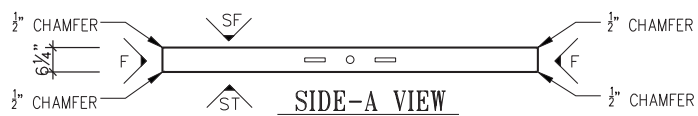


JOB USE
 DATE: 12/18/09
 CONSULTING ENGINEERS GROUP, INC.


- NOTES:
- 1) STRIP W/ SWIFT LIFTS.
 - 2) ROTATE TO VERTICAL.
 - 3) BLOCK AT LIFT LOCATIONS.
 - 4) STORE AND SHIP VERTICAL.
 - 5) ERECT W/ BURKES.

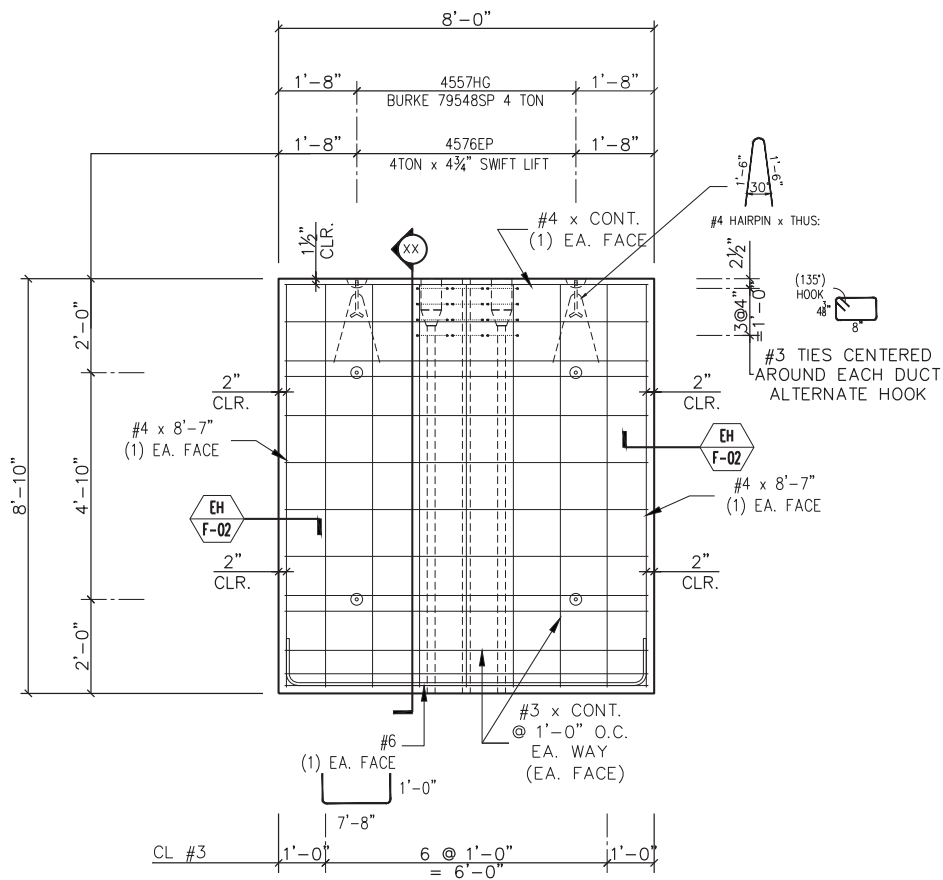


NO.	REVISION	BY	DATE	CONCRETE STRENGTH	f'c = 5000 PSI (28 DAYS)	f'ci = 3000 PSI (RELEASE)
				DRAWN	CHECKED	ENGINEER
				BDL	WJK	BS
PROJECT: NOTRE DAME SPECIMEN #2 & #3				DRAWING: FBR302	JOB: 08-	

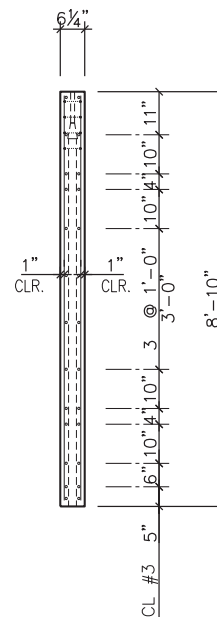


JOB USE
 DATE: 12/18/09
 CONSULTING ENGINEERS GROUP, INC.

HARDWARE	QTY/UNIT	HARDWARE	QTY/UNIT	ERECTION DRAWING REFERENCE:	HIGH CONCRETE STRUCTURES, INC.  125 DENVER RD. DENVER, CO 80202 303-733-8300 A Division of High Industries, Inc.	NO.	REVISION	BY	DATE	MK. NO.:	UNITS REQ'D:		PROJECT: NOTRE DAME SPECIMEN #2		
				E1.01 SERIES						08-WP102	ONE	WT.: 5,525 LB.			
5005UC	50mmØ DUCT x 8'-10" W/TRANSITION	2	4576EP	DAYTON P-52 SWIFT LIFT 4T x 4 3/4"	4										
5006UC	50mmØ DUCT x 8'-10"	ONE													
5007UC	#6 ERICO THREADED REBAR FS6M42	2													
5013EP	DAYTON SUPERIOR F-43 FERRULE INSERT 3/4"	3													
4520EP	DAYTON SUPERIOR F-42 LOOP FERRULE INSERT 3/4"	8													
4557HG	BURKE 79548SP 4 TON	2													
				HANDLING/REINFORCING REFERENCE: WPR102		HANDLING DIMENSIONS				DRAWN: BDL		CHECKED: WJK		ENGINEER: BS	
				DIM. A =		DIM. C =				DRAWING: WP102		JOB: 08-			
				DIM. B =		DIM. D =									



TOP VIEW



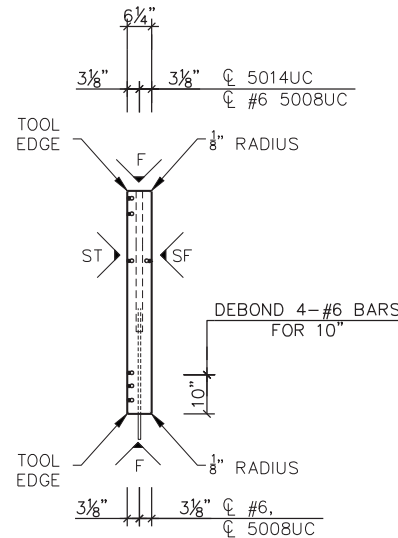
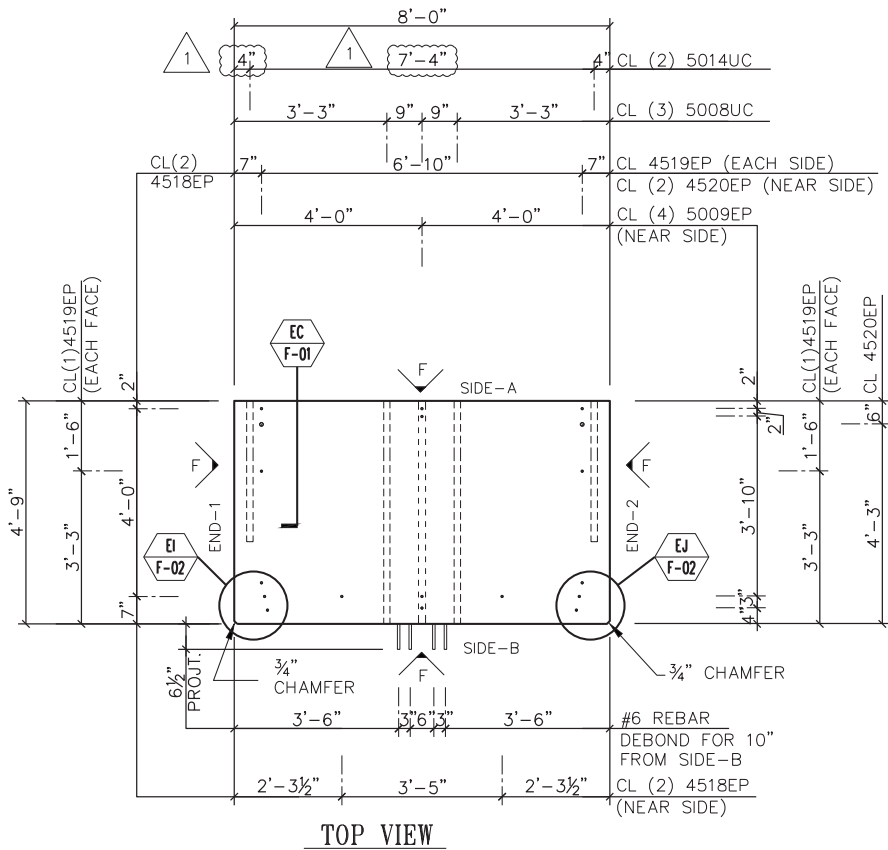
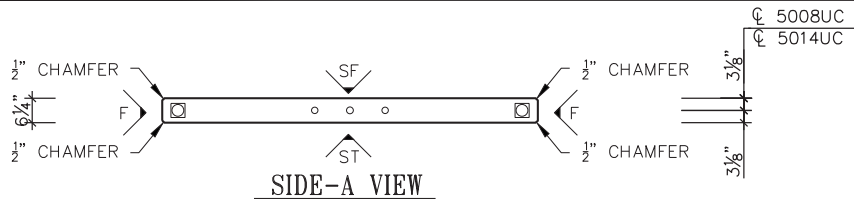
SECTION X-X

- NOTES:
 1) STRIP W/ SWIFT LIFTS.
 2) BLOCK AT LIFT LOCATIONS.
 3) STORE AND SHIP FLAT.
 4) ERECT W/ BURKES.

JOB USE


DATE: 12/18/09
 CONSULTING ENGINEERS GROUP, INC.

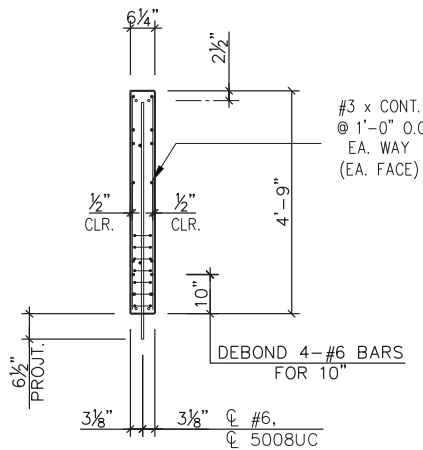
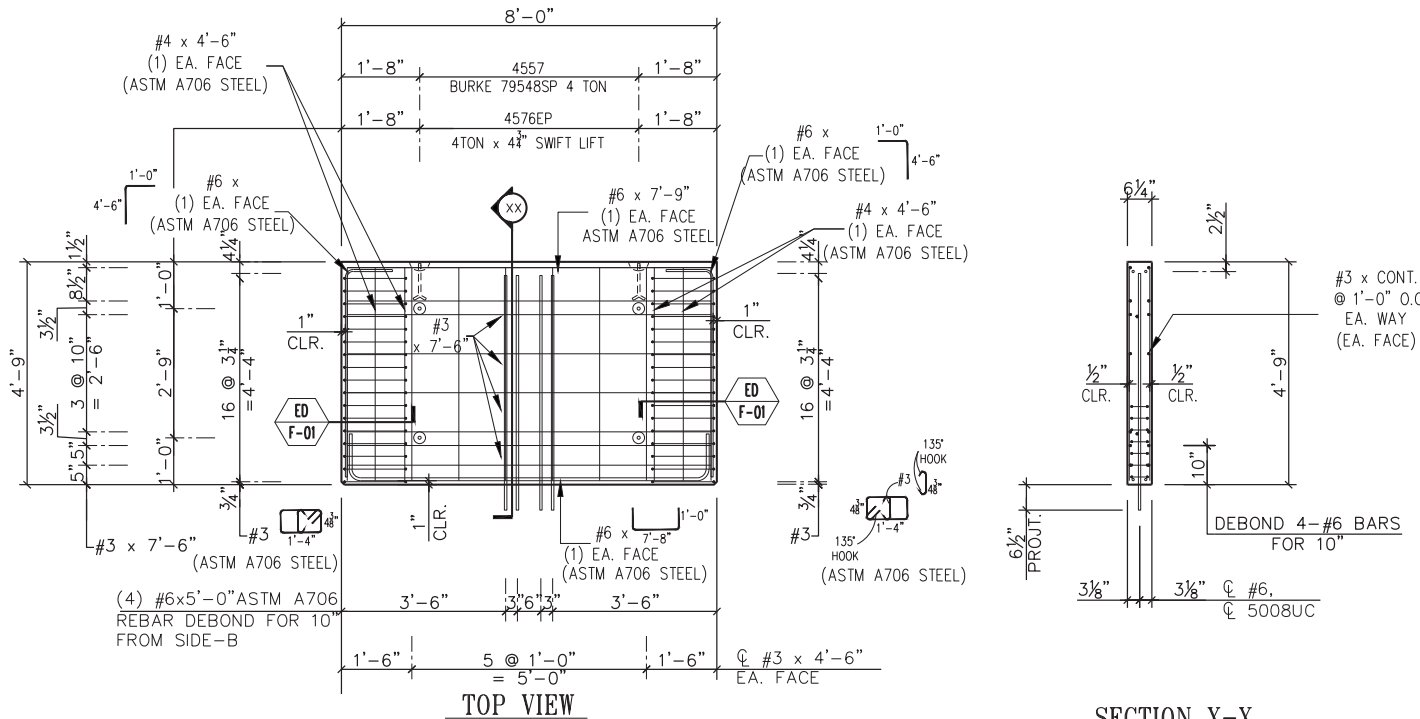
 <small>125 DENVER RD DENVER, CO 80201 PH: 773-536-8300 A Division of High Industries, Inc.</small>						
				CONCRETE STRENGTH	$f'_c = 5000$ PSI (28 DAYS)	$f'_{ci} = 3000$ PSI (RELEASE)
				DRAWN	CHECKED	ENGINEER
				BDL	WJK	BS
			PROJECT: NOTRE DAME SPECIMEN #2			
	NO. REVISION	BY	DATE	DRAWING: WPR102	JOB: 08-	



REVISED
 DATE: 12-29-2009
 CONSULTING ENGINEERS GROUP, INC.


JOB USE
 DATE: 12/18/09
 CONSULTING ENGINEERS GROUP, INC.

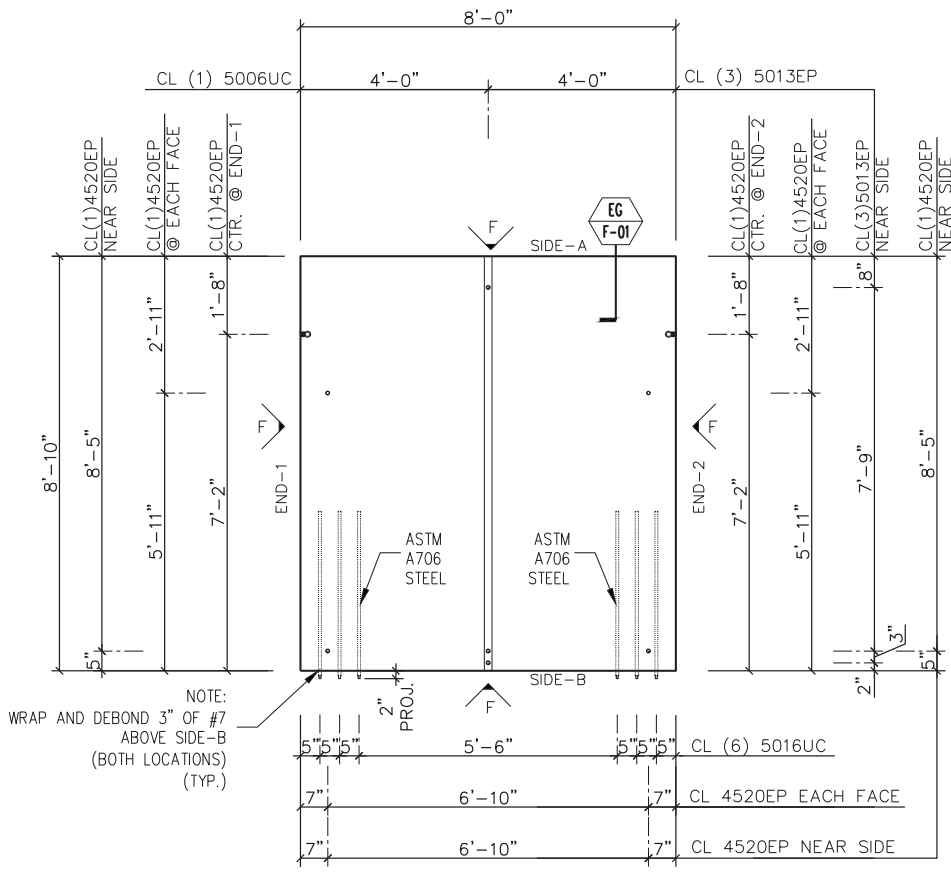
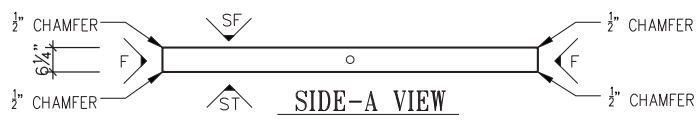
HARDWARE	QTY/UNIT	HARDWARE	QTY/UNIT	ERECTION DRAWING REFERENCE:	HIGH CONCRETE STRUCTURES, INC.	MK. NO.: 08-WP202	UNITS REQ'D.: ONE	WT.: 2,970 lbs.		
5014UC 50mmØ DUCT X 3'-0"	2	4576EP DAYTON P-52 SWIFT LIFT 4T x 4 3/4"	4	E1.01 SERIES						
5008UC 50mmØ DUCT X 4'-9"	3	4557HG BURKE 79548SP 4 TON	2	HANDLING/REINFORCING REFERENCE:	 <small>325 GUYVER RD DENVER, CO 80217 PH: 303-733-8300 FAX: 303-733-8300 A Division of High Industries, Inc.</small>					
4518EP DAYTON SUPERIOR F-42 LOOP FERRULE INSERT 3/8"	10			WPR202						
4519EP DAYTON SUPERIOR F-42 LOOP FERRULE INSERT 1/2"	4			HANDLING DIMENSIONS						
4520EP DAYTON SUPERIOR F-42 LOOP FERRULE INSERT 3/4"	2			DIM. A = DIM. C =						
5009EP DAYTON SUPERIOR F-43 FERRULE INSERT 3/8"	4			DIM. B = DIM. D =						
						1	AS CLOUDED	BDL	12-29-09	PROJECT: NOTRE DAME SPECIMEN #2
						NO. REVISION		BY	DATE	DRAWING: WP202 JOB: 08-



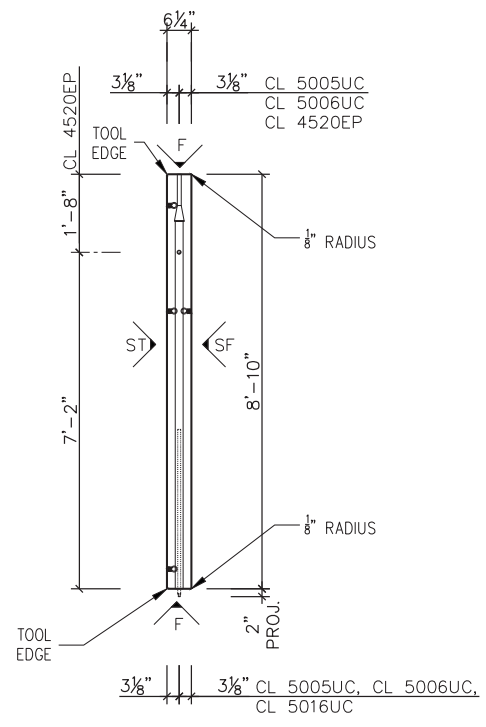
JOB USE
 DATE: 12/18/09
 CONSULTING ENGINEERS GROUP, INC.

- NOTES:
 1) STRIP W/ SWIFT LIFTS.
 2) BLOCK AT LIFT LOCATIONS.
 3) STORE AND SHIP FLAT.
 4) ERECT W/ BURKES.

HIGH CONCRETE STRUCTURES, INC.  <small>125 GUYTON RD. BIRMGHAM, AL 35217 TEL: 772-536-8300 A Division of High Industries, Inc.</small>					
		CONCRETE STRENGTH	$f'_c = 5000$ PSI (28 DAYS)		
		CONCRETE STRENGTH	$f'_{ci} = 3000$ PSI (RELEASE)		
		DRAWN	CHECKED	ENGINEER	
		BOL	WJK	BS	
		PROJECT: NOTRE DAME		SPECIMEN #2	
NO.	REVISION	BY	DATE	DRAWING: WPR202	JOB: 08-




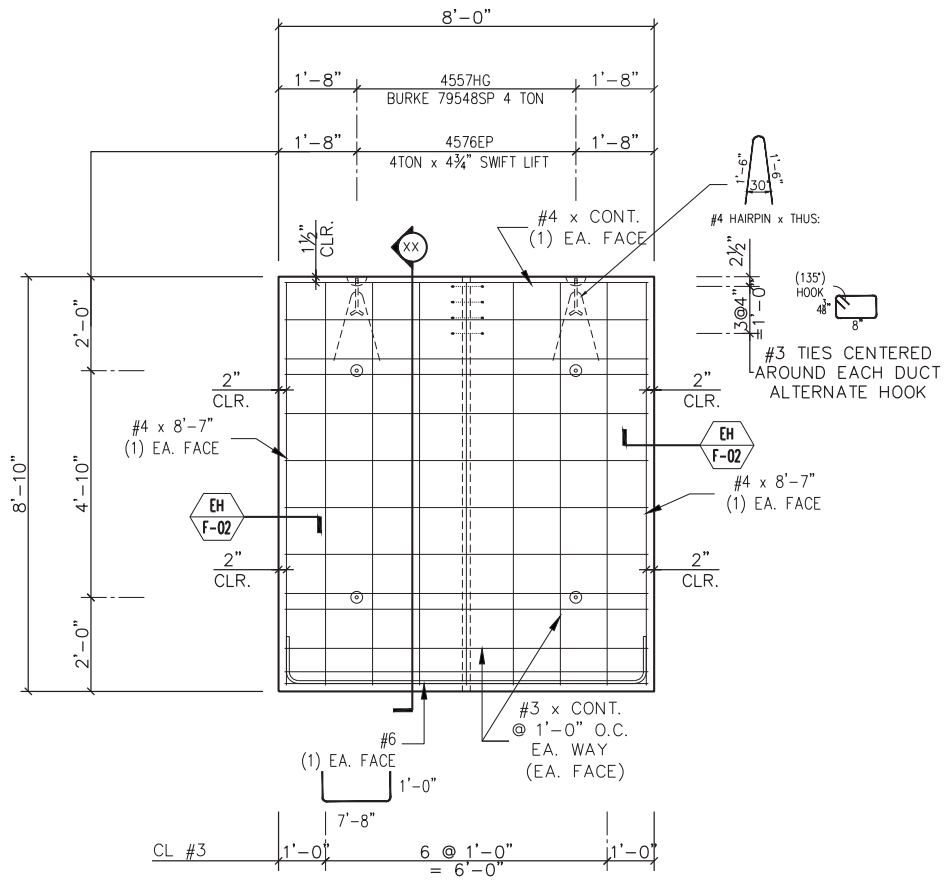
TOP VIEW



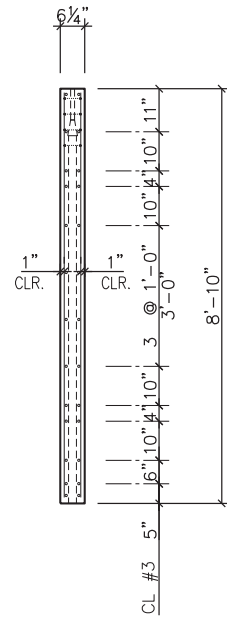
END-2 VIEW

JOB USE
DATE: 12/18/09
CONSULTING ENGINEERS GROUP, INC.

HARDWARE	QTY/UNIT	HARDWARE	QTY/UNIT	ERECTION DRAWING REFERENCE:	HIGH CONCRETE STRUCTURES, INC.  125 DENVER RD. DENVER, CO 80237 303-771-2300-3000 A Division of High Industries, Inc.	MK. NO.: 08-WP103		
5006UC 50mm Ø DUCT x 8'-10"	ONE	4576EP DAYTON P-52 SWIFT LIFT 4T x 4 3/4"	4	E1.01 SERIES		UNITS REQ'D: ONE	WT.: 5,525 LB.	
5016UC #7 ERICO THREADED REBAR FS6M42	6			HANDLING/REINFORCING REFERENCE:	MIX NO.:	C/Y: 1.37		
5013EP DAYTON SUPERIOR F-43 FERRULE INSERT 3/4"	3			WPR103	DRAWN	CHECKED	ENGINEER	
4520EP DAYTON SUPERIOR F-42 LOOP FERRULE INSERT 3/4"	8			HANDLING DIMENSIONS	BDL	WJK	BS	
4557HG BURKE 79548SP 4 TON	2			DIM. A = DIM. C =	PROJECT: NOTRE DAME SPECIMEN #3			
				DIM. B = DIM. D =	NO. REVISION	BY DATE	DRAWING: WP103	JOB: 08-



TOP VIEW

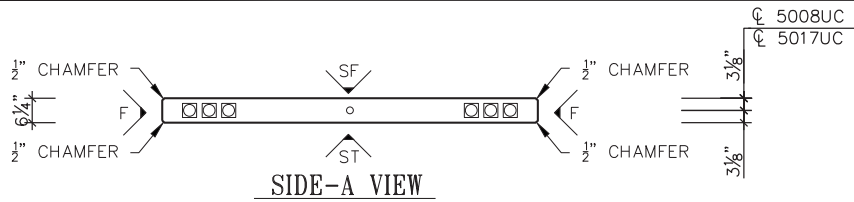


SECTION X-X

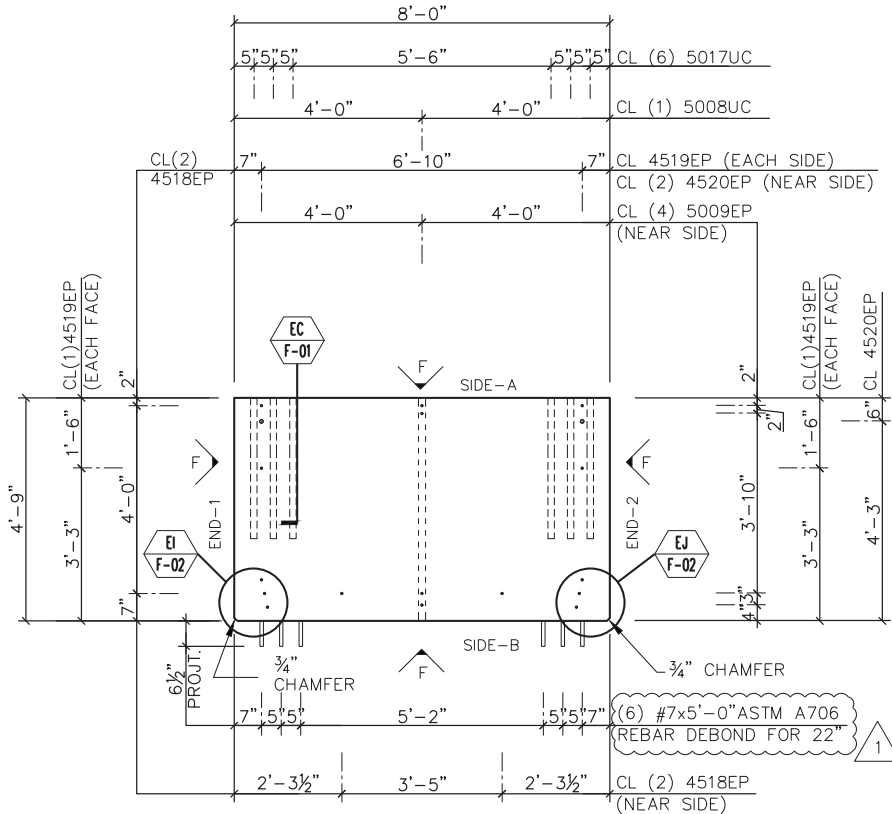
- NOTES:
- 1) STRIP W/ SWIFT LIFTS.
 - 2) BLOCK AT LIFT LOCATIONS.
 - 3) STORE AND SHIP FLAT.
 - 4) ERECT W/ BURKES.

JOB USE
 DATE: 12/18/09
 CONSULTING ENGINEERS GROUP, INC.

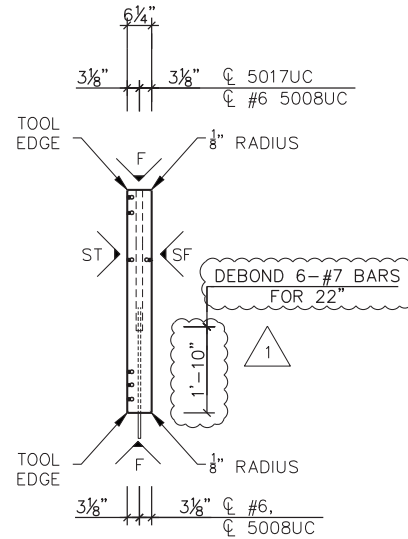
HIGH CONCRETE STRUCTURES, INC. 125 DENVER RD. DENVER, CO. 80201 PH: 773-536-8300 A Division of High Industries, Inc.						
				CONCRETE STRENGTH	f'c = 5000 PSI (28 DAYS) f'ci = 3000 PSI (RELEASE)	
				DRAWN	CHECKED	ENGINEER
				BOL	WJK	BS
				PROJECT: NOTRE DAME SPECIMEN #3		
				DRAWING:	WPR103	JOB: 08-
	NO.	REVISION	BY	DATE		



SIDE-A VIEW




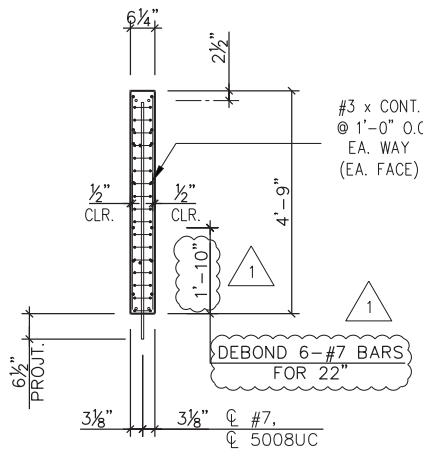
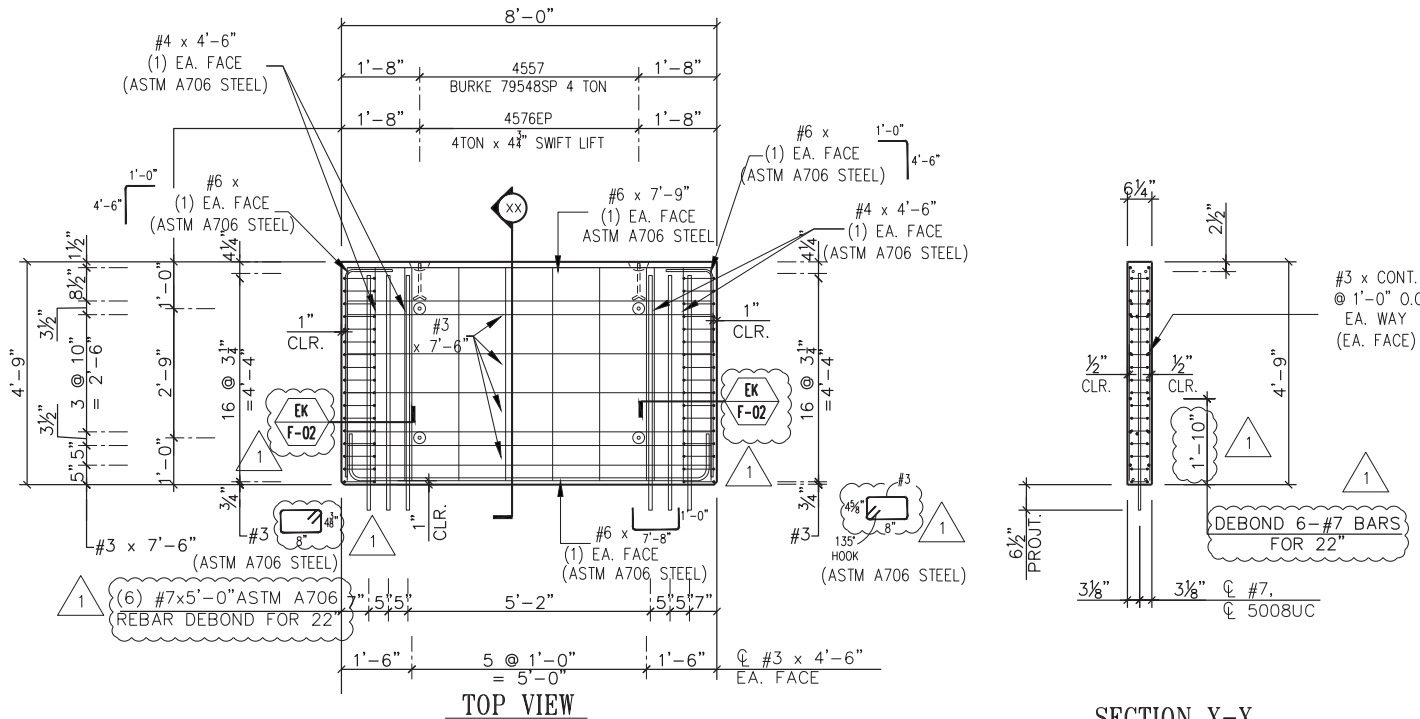
TOP VIEW



END-2 VIEW

REVISED
 DATE: 12-29-2009
 CONSULTING ENGINEERS GROUP, INC.
JOB USE
 DATE: 12/18/09
 CONSULTING ENGINEERS GROUP, INC.

HARDWARE	QTY/UNIT	HARDWARE	QTY/UNIT	ERECTION DRAWING REFERENCE:	HIGH CONCRETE STRUCTURES, INC.	MK. NO.:	08-WP203			
5017UC 50mmØ DUCT X 3'-6"	6	4576EP DAYTON P-52 SWIFT LIFT 4T X 4 3/4"	4	E1.01 SERIES	 <small>125 DENVER RD DENVER, CO 80207 PH: 717-536-8300 A Division of High Industries, Inc.</small>	UNITS REQ'D:	ONE	WT.:	2,970 lbs.	
5008UC 50mmØ DUCT X 4'-9"	1	4557HG BURKE 79548SP 4 TON	2	HANDLING/REINFORCING REFERENCE:		MIX NO.:		C/Y:	0.73	
4518EP DAYTON SUPERIOR F-42 LOOP FERRULE INSERT 3/8"	10			WPR203		DRAWN	CHECKED	ENGINEER		
4519EP DAYTON SUPERIOR F-42 LOOP FERRULE INSERT 1/2"	4					BDL	WJK	BS		
4520EP DAYTON SUPERIOR F-42 LOOP FERRULE INSERT 3/4"	2			HANDLING DIMENSIONS						
5009EP DAYTON SUPERIOR F-43 FERRULE INSERT 3/8"	4			DIM. A = DIM. C =						
				DIM. B = DIM. D =						
						1	AS CLOUDED	BDL	12-29-09	PROJECT: NOTRE DAME SPECIMEN #3
						NO.	REVISION	BY	DATE	DRAWING: WP203 JOB: 08-



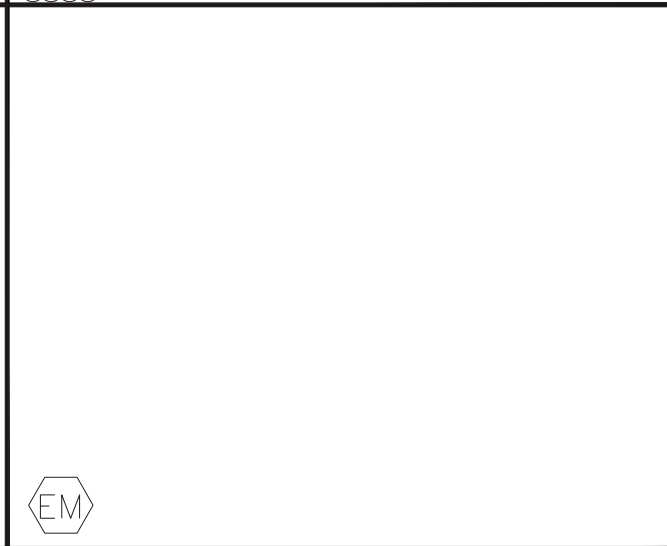
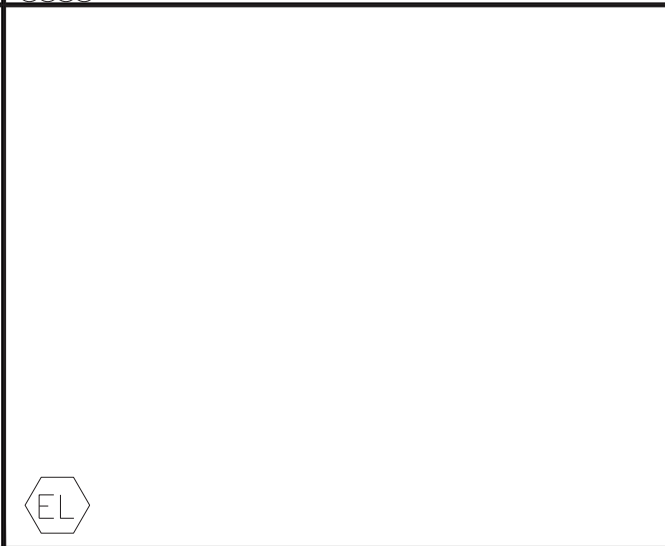
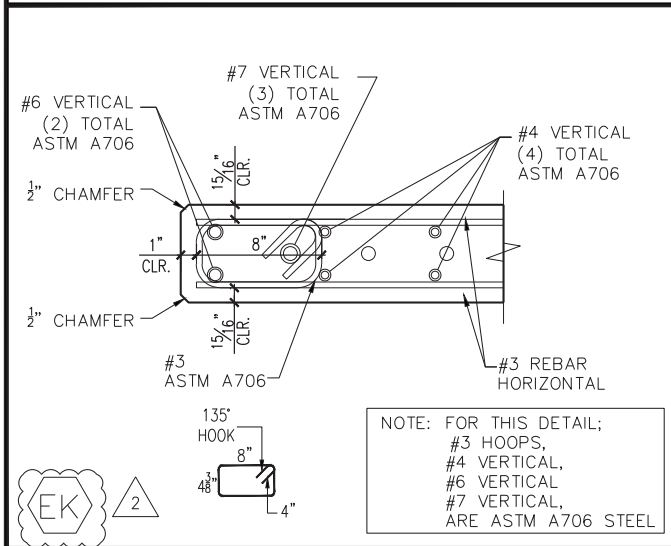
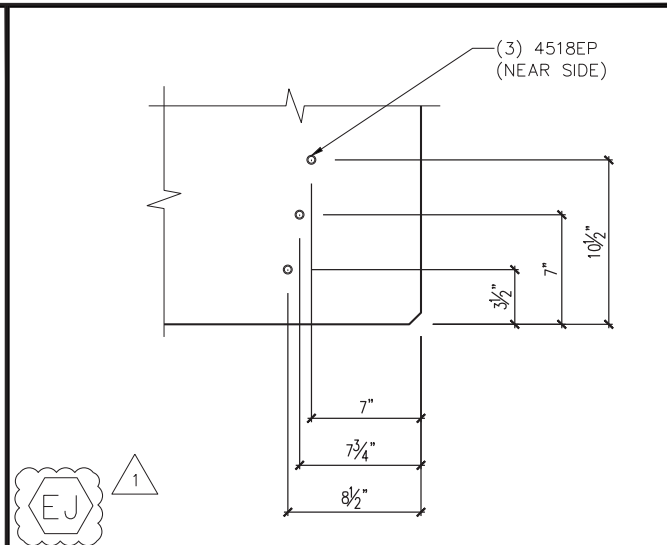
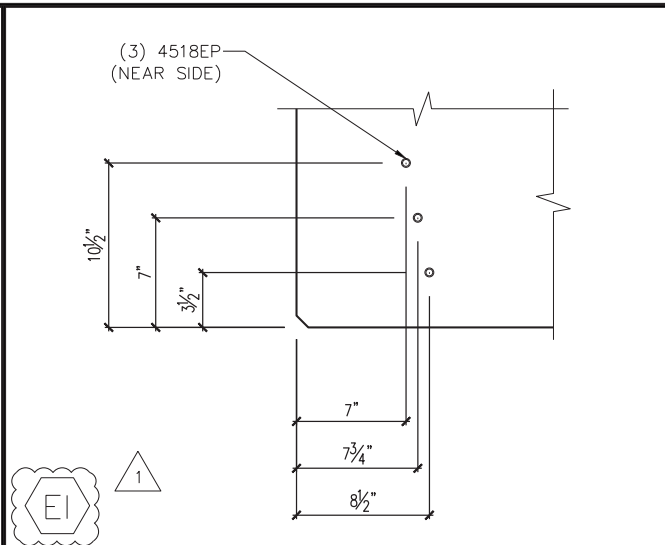
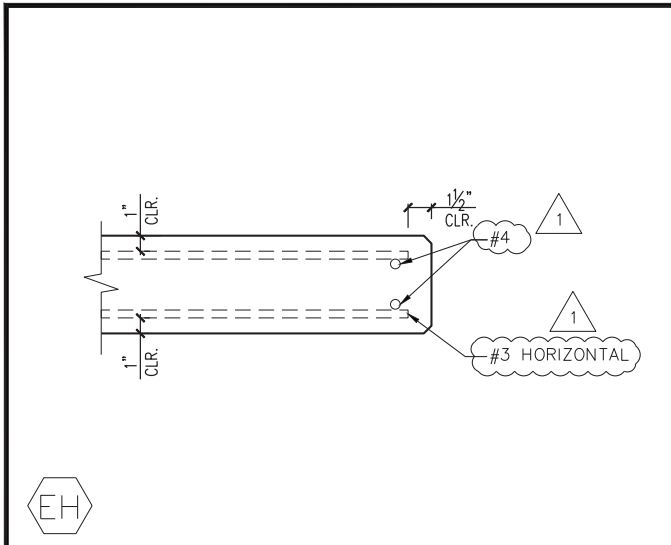
REVISED
 DATE: 12-29-2009
 CONSULTING ENGINEERS GROUP, INC.

JOB USE
 DATE: 12/18/09
 CONSULTING ENGINEERS GROUP, INC.

- NOTES:
 1) STRIP W/ SWIFT LIFTS.
 2) BLOCK AT LIFT LOCATIONS.
 3) STORE AND SHIP FLAT.
 4) ERECT W/ BURKES.

SECTION X-X

 <small>125 DENVER RD DENVER, PA 15117 PH: 717-536-8300 A Division of High Industries, Inc.</small>					CONCRETE STRENGTH	$f'_c = 5000$ PSI (28 DAYS)	$f'_{ci} = 3000$ PSI (RELEASE)
					DRAWN	CHECKED	ENGINEER
					BDL	WJK	BS
	1	AS CLOUDED	BDL	12-29-09	PROJECT: NOTRE DAME	SPECIMEN #3	
	NO. REVISION		BY DATE	DRAWING: WPR203	JOB: 08-		

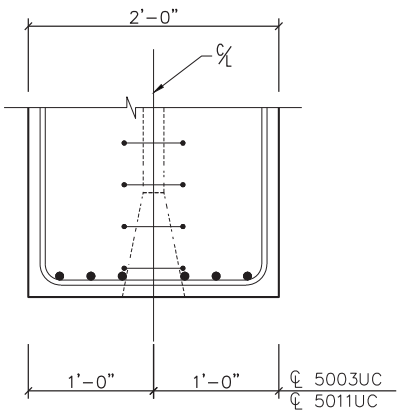


HIGH CONCRETE STRUCTURES, INC.

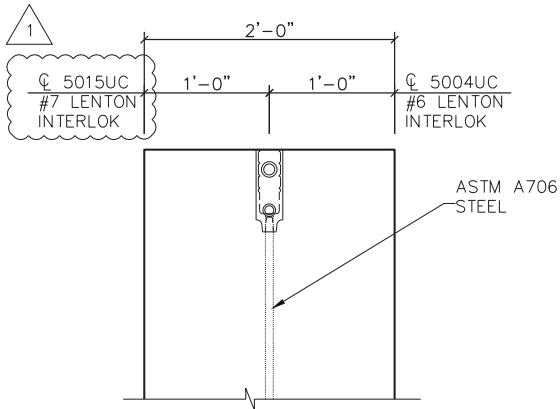
 125 OLIVER RD.
 DENVER, CO 80217
 303-733-8300
 A Division of High Industries, Inc.

NO.	REVISION	BY	DATE
2	ADDED DETAIL-EK	BDL	12-29-09
1	AS CLOUDED	BDL	12-09-09

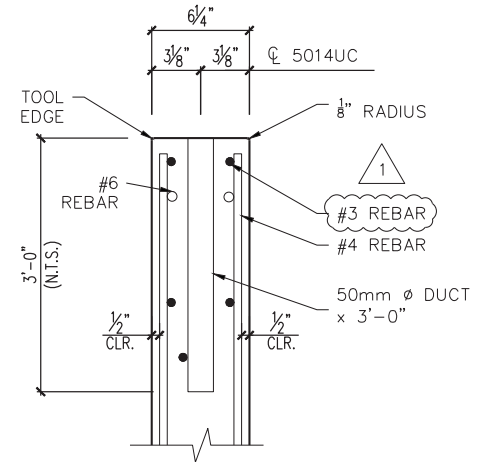
DETAILS		
DRAWN	CHECKED	ENGINEER
BDL	WJK	BS
PROJECT: NOTRE DAME		
DRAWING: F02	JOB: 08-	



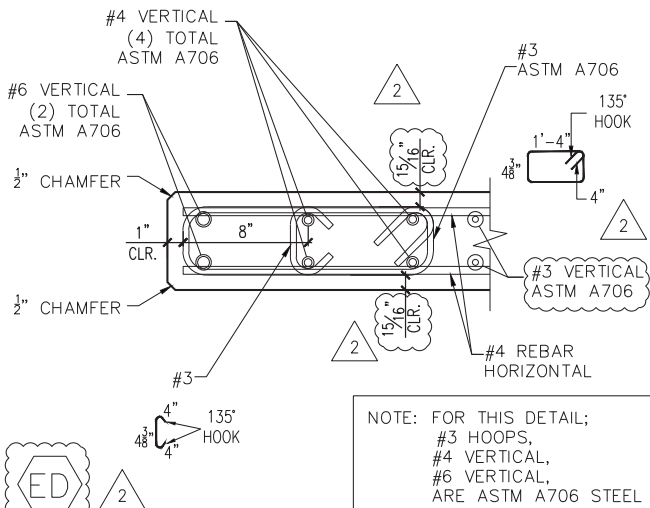
EA



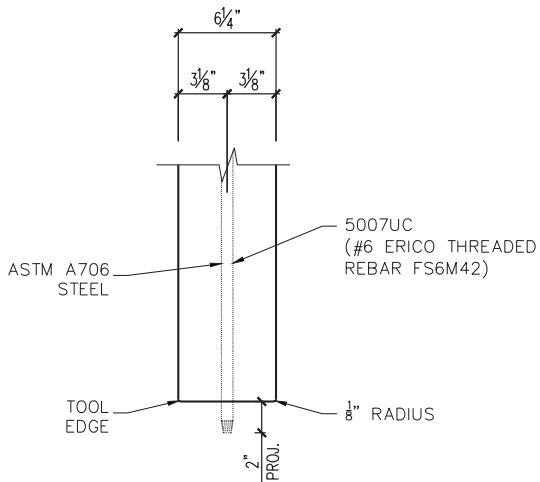
EB



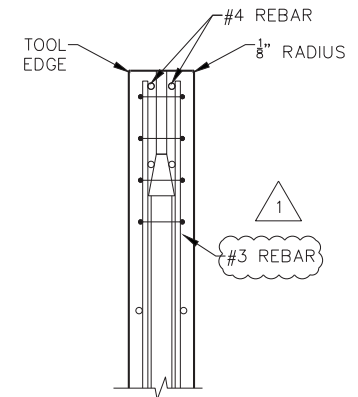
EC



ED



EF



EG

HIGH CONCRETE
STRUCTURES,
INC.

125 OLIVER RD.
DENVER, CO 80217
303-733-8300
A Division of High Industries, Inc.

NO.	REVISION	BY	DATE
2	AS CLOUDED	BDL	12-29-09
1	AS CLOUDED	BDL	12-09-09

DETAILS		
DRAWN	CHECKED	ENGINEER
BDL	WJK	BS
PROJECT: NOTRE DAME		
DRAWING: F01	JOB: 08-	